

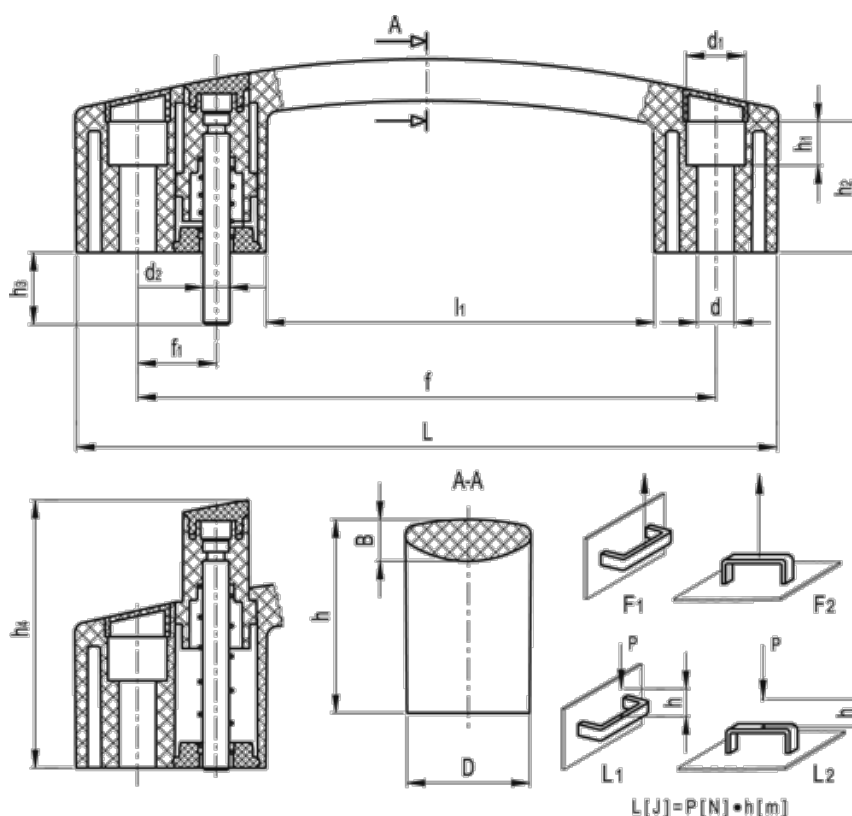
# Data Sheet



Article number: 23102605315

Description: E+G Handle with lock  
EBR.150-8-C5 Blå

## Measures



B	= 8.5	F2 (N) = 2900	L1 (J)	= 35	
d	= 8.5	h	= 44	L2 (J)	= 8
D	= 28	h1	= 10	Weight (g)	= 90
d1	= 13.5	h2	= 30		
d2	= 6	h3	= 16		
f	= 132 +/-0,5	H4	= 56		
F1	= 18	L	= 160		
F1 (N)	= 2800	l1	= 89		